



Instructions for Cleaning and Sterilization

This instruction is for guidance of cleaning and sterilization of LED SLIT LAMP MW50D for normal use. For other instructions, please refer to USER MANUAL of MW50D.

<Cleaning and sterilization>

Clean the chin rest, forehead rest, and holding bars with a clean, soft cloth soaked with rubbing alcohol.

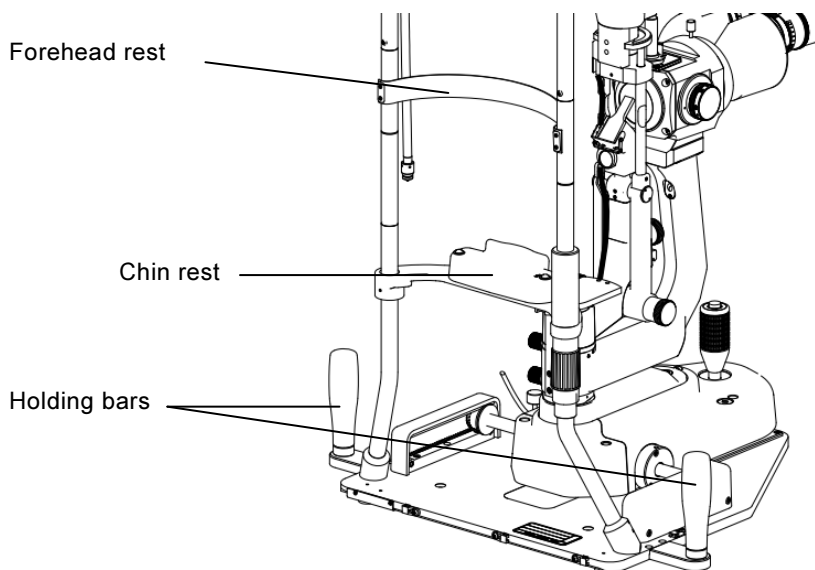
1. Be careful not to scratch or break the lens when cleaning it.
2. After examining each patient, clean and disinfect the areas that are in contact with the patient. Failure to do so may result in spreading an infection to other patients.
3. After using the instrument, turn off the power switch on the power supply unit and install the dust cover.

Cleaning the Forehead Rest, Chin Rest, and Holding Bars

To clean the Chin rest, Forehead and Holding Bars with soft cloth soaked with rubbing alcohol.

ex) "Schnelldesinfektion", "Sixtan® Desinfektion": They are registered in the VAH list.

When using the chin rest paper, use a new sheet for each patient. For the replacement method of the chin rest paper, refer to the next page.



Cleaning the Lens

If the lens gets dirty, blow the dust off the lens three or four times using the blower that came with the instrument. If the dust is still not removed, gently wipe the lens using a lens cleaning solution or absolute alcohol (commercially available).

Be careful not to scratch or break the lens when cleaning it.

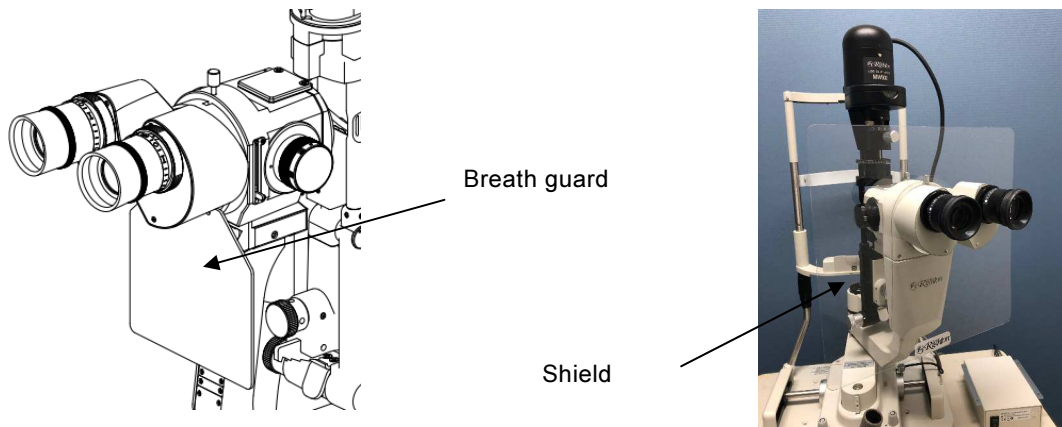
Cleaning the Exterior of the Instrument

Do not use any organic solvents (alcohol, ether, thinner, etc.) when cleaning the coated, plastic, or printed areas on the instrument. Discoloration or removal of the printing may result. In cases of stubborn dirt, gently wipe the surface with gauze slightly moistened with a diluted mix of water and mild detergent.

Optional Accessories

Breath Guard, Shield

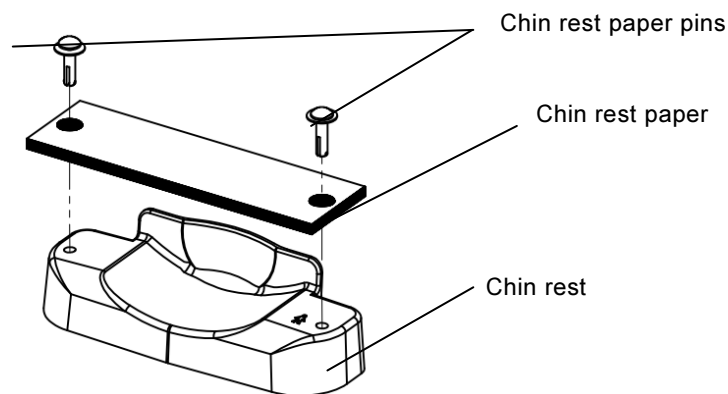
Breath guard is the plate prevent from blowing to the patient.



Chin Rest Paper

Remove the two chin rest paper pins from the chin rest. Place the chin rest paper (one piece or more as needed) on the chin rest. Then install the pins to secure the paper.

Used chin rest paper can be removed from the chin rest without removing those pins.



Note

Sodium Hypochlorite (NaClO) is recommended to use for disinfection of COVID-19 that some of the evidence announced about effectiveness using 0.05% solution for medical devices. As an alternate option beside rubbing alcohol, as well as based on local market availability, 0.05% of Sodium Hypochlorite can be used for specified parts of Righton products, however, it may cause faster deterioration, rusting, removal of paint or change color of the materials. Ethyl alcohol 70-83% (as rubbing alcohol) is also recommended for disinfection of COVID-19.

RIGHT MFG. CO., LTD.

1-47-3, Maeno-cho, Itabashi-ku, Tokyo, 174-8633 Japan

Tel : +81-3-3960-2275 Fax : +81-3-3960-2285

TOHOKU RIGHT MFG. CO., LTD.

OPHTHALMIC SERVICE

45-1, Aza Yashikimae, Nakamura Osato-cho, Kurokawa-gun, Miyagi, 981-3521 Japan

Tel : +81-22-359-3113 Fax : +81-22-359-3213