

S4OPTIK

A close-up photograph of the S4OPTIK examination chair's backrest and headrest mechanism. The backrest is a curved, light-colored metal frame with three circular adjustment knobs. The headrest is a black, padded, rectangular cushion attached to the top of the backrest. The chair's seat and other parts are visible in the background, slightly out of focus.

EXAMINATION CHAIR

Model 1000-CH

Comfortable and sleek.

The S4OPTIK 1000-CH Examination Chair offers a superior patient experience.



Smooth and silent

- Enjoy smooth, virtually silent lifting with the Swiss-made KleenTech® lift system
- Holds up to 560lbs (254kg)
- Seat raises to 31.55" (80.1cm) and lowers to 19.75" (50.2cm)



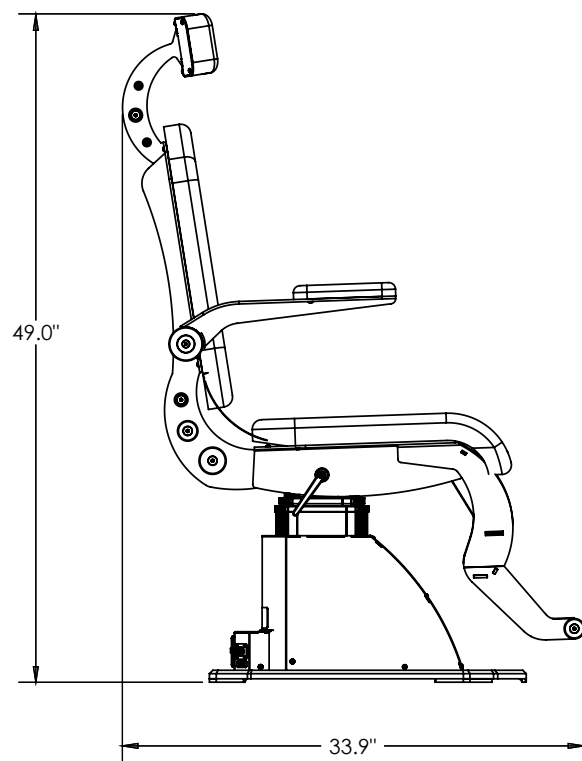
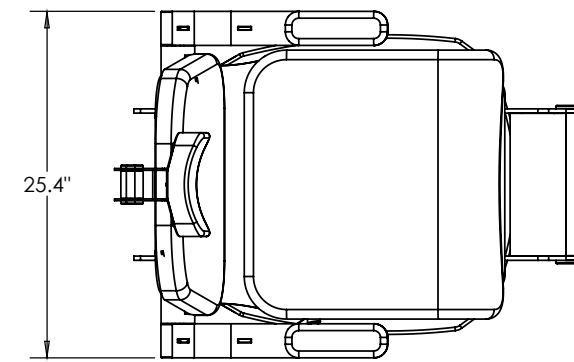
Flexibility and comfort

- Optimal patient flexibility with individually retractable armrests
- Upholstered for maximum comfort
- Solid construction supports ingress/egress

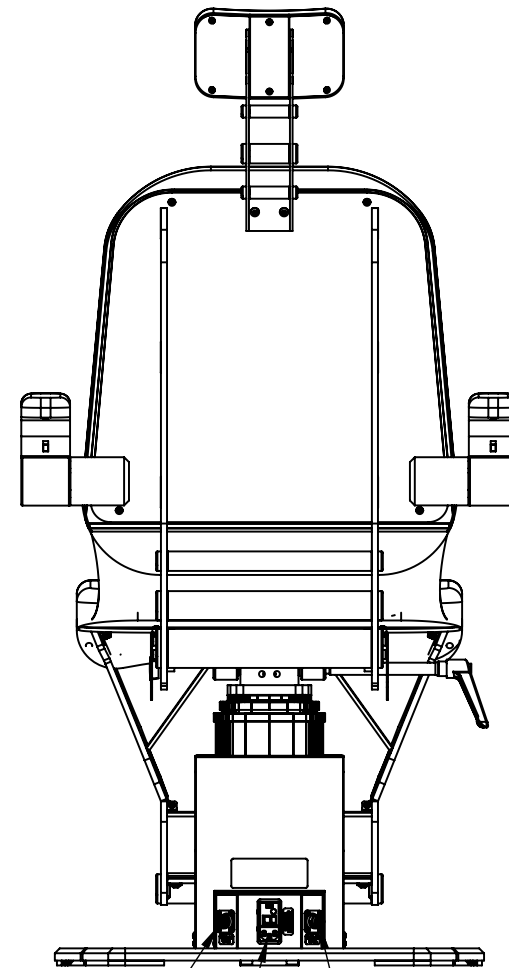


S4OPTIK 1000-CH

Examination Chair Specs



CHAIR UPRIGHT
(NO RECLINE)



4 POSITION CPC CONNECTOR
(TAKES FOOTPEDAL CABLE)

IEC C14 INPUT POWER MODULE
(TAKES POWER CORD WITH IEC C13 END)

4 POSITION CPC CONNECTOR
(TAKES CHAIR TO STAND CABLE)

Shipping Weight: **260 lb**

Gross Weight: **225 lb**

Baseplate: **22"x23.25"**

Lift Capacity (lb): **560 lb**

Ground to Seat: **19.75"**

Lift Column Stroke: **11.8"**

Rotation: **360°**

Tilt Mechanism: **None**

Input Voltage: **100-240 VAC, 50/60Hz**

Fuses: **8A Main**

About S4OPTIK

Modern Design, Quality Materials, Exceptional Value.

Understanding the unique needs of eye care practices all over the world, S4OPTIK delivers extraordinary value in high quality diagnostic equipment and accessories. With modern designs to enhance your office environment, competitive prices to help you manage your costs, and an industry leading warranty, S4OPTIK eye care instruments help you deliver the very best in patient care. Contact us today for pricing.